

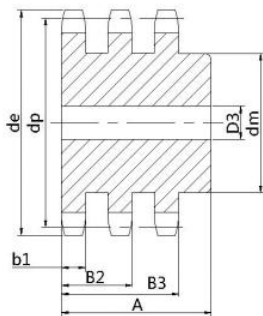
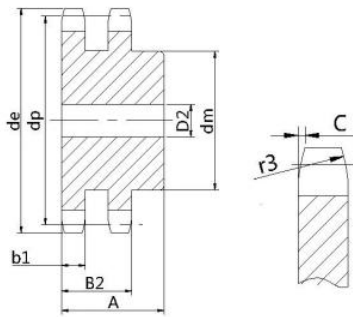
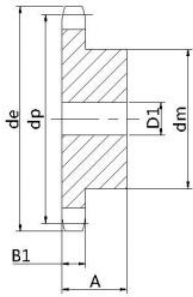
ASA SPROCKETS & PLATE WHEELS

Piñones & discos normas ASA

ASA 35

PITCH 3/8" x 3/16"

For chain Acc.to DIN 8188
ISO/R606



SPROCKETS			SIMPLEX			DUPLEX		
Z	d _e	d _s	d _e	D ₁	A	d _e	D ₂	A
10	35.70	30.82	20	8	20			
11	38.69	33.80	22	8	25			
12	41.68	36.80	25	8	25			
13	44.68	39.80	28	8	25	28	10	25
14	47.68	42.80	31	8	25	31	10	25
15	50.69	45.81	34	8	25	34	10	25
16	53.70	48.82	37	10	28	37	12	30
17	56.72	51.83	38	10	28	40	12	30
18	59.73	54.85	38	10	28	43	12	30
19	62.75	57.87	45	10	28	46	12	30
20	65.77	60.89	46	10	28	49	12	30
21	68.79	63.91	46	10	28	52	12	30
22	71.81	66.93	50	12	28	55	12	30
23	74.83	69.95	52	12	28	58	12	30
24	77.85	72.97	52	12	28	61	12	30
25	80.88	76.00	57	12	28	64	12	30
26	83.90	79.02	58	12	28	67	12	30
27	86.93	82.04	58	12	28	70	12	30
28	89.95	85.07	60	12	28	73	12	30
30	96.00	91.12	60	12	28			

PLATEWHEELS			S	D	T
Z	d _e	d _s	D ₁	D ₂	D ₃
30	96.00	91.12		12	
32	102.06	97.17	12		
36	114.17	109.29	12		
38	120.22	115.34	12	14	
40	126.28	121.40	12		
45	141.43	136.55	16	16	
48	150.52	145.64	16		
57	177.79	172.91	16	16	
76	235.37	230.49	20	20	

SPROCKETS & PLATE WHEELS mm

Tooth radius r ₃	10
Radius width C	1.2
Tooth width B ₁	4.4
Tooth width b ₁	4.3
Tooth width B ₂	14.4

CHAIN mm

Pitch	9.525
Internal width	4.77
RollerΦ	5.08

Material: C 45



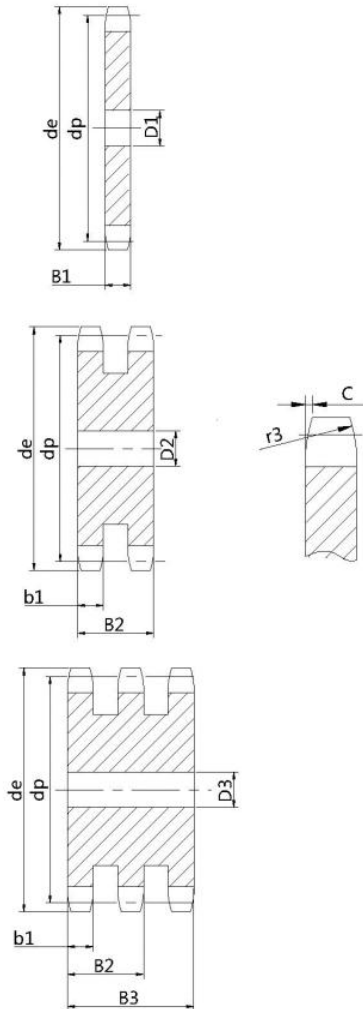
ASA SPROCKETS & PLATE WHEELS

Piñones & discos normas ASA

ASA 40

PITCH 1/2" x 5/16"

For chain Acc.to DIN 8188
ISO/R606



SPROCKETS & PLATE WHEELS mm

Tooth radius r_3	13.5
Radius width C	1.6
Tooth width B_1	7.4
Tooth width b_1	7.2
Tooth width B_2	21.6
Tooth width B_3	36

CHAIN mm

Pitch	12.7
Internal width	7.94
Roller Φ	7.94

Material: C 45

Z	SPROCKETS					SIMPLEX			DUPLEX			TRIPLEX		
	d_e	d_p	d_s	D_1	A	d_n	D_2	A	d_m	D_3	A			
10	47.66	41.10	26	10	25									
11	51.64	45.08	29	10	25									
12	55.63	49.07	33	10	28				35	14	50			
13	59.63	53.07	35	10	28	38	12	35	38	14	50			
14	63.63	57.07	41	10	28	42	12	35	42	14	50			
15	67.64	61.08	45	10	28	46	12	35	46	14	50			
16	71.66	65.10	48	10	28	50	14	35	50	16	50			
17	75.68	69.12	48	10	28	54	14	35	54	16	50			
18	79.70	73.14	56	12	28	58	14	35	58	16	50			
19	83.72	77.16	60	12	28	62	14	35	62	16	50			
20	87.74	81.18	60	12	28	66	14	35	66	16	50			
21	91.77	85.21	65	12	28	70	16	40	70	20	55			
22	95.80	89.24	65	12	28	70	16	40	70	20	55			
23	99.83	93.27	65	12	28	70	16	40	70	20	55			
24	103.86	97.30	70	14	28	75	16	40	75	20	55			
25	107.89	101.33	70	14	28	80	16	40	80	20	55			
26	111.92	105.36	70	14	28	85	16	40	85	20	55			
27	115.96	109.40	70	16	30	85	16	40	85	20	55			
28	119.99	113.43	70	16	30	90	16	40	90	20	55			
30	128.06	121.50	80	16	30	100	16	40						
32	136.13	129.57	80	16	30									
35	148.24	141.68	90	16	30									
36	152.28	145.72	90	16	30									
38	160.35	153.79	90	16	35									
40	168.43	161.87	90	16	35									

PLATEWHEELS			S	D	T
Z	d_e	d_p	D_1	D_2	D_3
30	128.06	121.50			20
32	136.13	129.57		16	
38	160.35	153.79		20	25
40	168.43	161.87		20	
42	176.50	169.94	20		
45	188.62	182.06	20	20	25
48	200.74	194.18	20		
57	237.10	230.54	20	25	25
76	313.88	307.32	25	25	25
95	390.67	384.11		25	



SPROCKET
Piñones

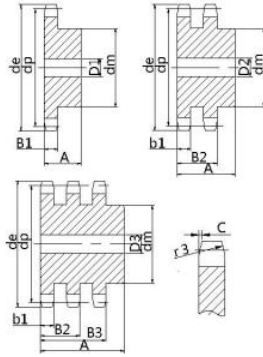
ASA SPROCKETS & PLATE WHEELS

Piñones & discos normas ASA

ASA 50

PITCH 5/8" x 3/8"

For chain Acc.to DIN 8188
ISO/R606



SPROCKETS mm

Tooth radius r ₃	17
Radius width C	2
Tooth width B ₁	9
Tooth width b ₁	8.8
Tooth width B ₂	26.9
Tooth width B ₃	45

CHAIN mm

Pitch	15.875
Internal width	9.52
RollerΦ	10.16

Material:C 45

Z	d _e	d _o	SIMPLEX			DUPLEX			TRIPLEX		
			d _e	D ₁	A	d _e	D ₁	A	d _e	D ₁	A
8	47.0	41.48	25	10	25						
9	52.6	46.42	30	10	25						
10	57.5	51.37	35	10	25						
11	63.0	56.34	37	12	30						
12	68.0	61.34	42	12	30				44	16	55
13	73.0	66.32	47	12	30	49	14	40	49	16	55
14	78.0	71.34	52	12	30	54	14	40	54	16	55
15	83.0	76.36	57	12	30	59	14	40	59	16	55
16	88.0	81.37	60	12	30	64	16	45	64	16	60
17	93.0	86.39	60	12	30	69	16	45	69	16	60
18	98.3	91.42	70	14	30	74	16	45	74	16	60
19	103.3	96.45	70	14	30	79	16	45	79	16	60
20	108.4	101.49	75	14	30	84	16	45	84	16	60
21	113.4	106.52	75	16	30	85	16	45	85	20	60
22	118.0	111.55	80	16	30	90	16	45	90	20	60
23	123.4	116.58	80	16	30	95	16	45	95	20	60
24	128.3	121.62	80	16	30	100	16	45	100	20	60
25	134.0	126.66	80	16	30	105	16	45	105	20	60
26	139.0	131.70	85	20	35				110	20	60
27	144.0	136.75	85	20	35				110	20	60
28	148.7	141.78	90	20	3b				115	20	60
29	153.8	146.83	90	20	35						
30	158.8	151.87	90	20	35						
31	163.9	156.92	95	20	35						
32	168.9	161.95	95	20	35						
33	174.5	167.00	95	20	35						
34	179.0	172.05	95	20	35						
35	184.1	177.10	95	20	35						
36	189.1	182.15	100	20	35						
37	194.2	187.20	100	20	35						
38	199.2	192.24	100	20	35						
39	204.2	197.29	100	20	35						
40	209.3	202.34	100	20	35						

ASA 50

PITCH 5/8" x 3/8"

For chain Acc.to DIN 8188
ISO/R606

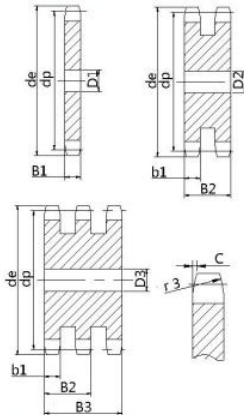


PLATE WHEELS mm

Tooth radius r ₃	17
Radius width C	2
Tooth width B ₁	9
Tooth width b ₁	8.8
Tooth width B ₂	26.9
Tooth width B ₃	45

CHAIN mm

Pitch	15.875
Internal width	9.52
RollerΦ	10.16

PLATEWHEELS			S	D	T	Z	d _e	d _o	S	D	T
Z	d _e	d _o									
8	47.0	41.48	10			44	230.0	222.53	20		
9	52.6	46.42	10			45	235.0	227.58	20	20	25
10	57.5	51.37	10			46	240.1	232.63	20		
11	63.0	56.34	10			47	245.1	237.68	20		
12	68.0	61.34	10			48	250.2	242.73	20		
13	73.0	66.32	10			49	255.2	247.78	20		
14	78.0	71.34	10			50	260.3	252.82	20		
15	83.0	76.36	10			51	265.3	257.87	20		
16	88.0	81.37	12			52	270.4	262.92	20		
17	93.0	86.38	12			53	275.4	267.97	20		
18	98.3	91.42	12			54	280.5	273.03	20		
19	103.3	96.45	12			55	285.5	278.08	20		
20	108.4	101.49	12			56	290.6	283.13	25		
21	113.4	106.52	12			57	296.0	288.18	25	25	25
22	118.0	111.55	12			58	300.7	293.23	25		
23	123.5	116.58	12			59	305.7	298.27	25		
24	128.3	121.62	12			60	310.8	303.32	25		
25	134.0	126.66	12			62	321.4	313.43	25		
26	139.0	131.70	16			64	331.5	323.53	25		
27	144.0	136.75	16			65	336.5	328.58	25		
28	148.7	141.78	16			66	341.6	333.63	25		
29	153.8	146.83	16			68	351.7	343.74	25		
30	158.8	151.87	16	20	20	70	361.8	353.84	25		
31	163.9	156.92	16			72	371.9	363.95	25		
32	168.9	161.95	16			75	387.1	379.09	25		
33	174.5	167.00	16			76	392.1	384.16	25	25	30
34	179.0	172.05	16			78	402.2	394.25	25		
35	184.1	177.10	16			80	412.3	404.35	25		
36	189.1	182.15	20			85	437.6	429.62	30		
37	194.2	187.20	20			90	462.8	454.88	30		
38	199.2	192.24	20	20	25	95	488.5	480.14	30	30	
39	204.2	197.29	20			100	513.4	505.39	30		
40	209.3	202.34	20			110	563.9	555.92	30		
41	214.8	207.39	20			114	584.1	576.13	30		
42	219.9	212.44	20			120	614.4	606.45	30		
43	224.9	217.49	20			125	639.7	631.51	30		



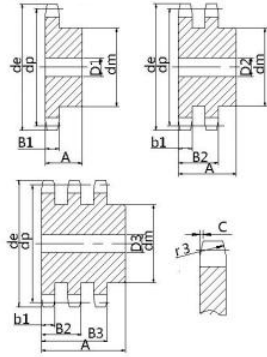
ASA SPROCKETS & PLATE WHEELS

Piñones & discos normas ASA

ASA 60

PITCH 3/4" x 1/2"

For chain Acc.to DIN 8188
ISO/R606



SPROCKETS mm

Tooth radius r_3	20
Radius width C	2.4
Tooth width B_1	12.0
Tooth width b_1	11.8
Tooth width B_2	34.6
Tooth width B_3	57.4

CHAIN mm

Pitch	19.05
Internal width	12.7
Roller Φ	11.91

Material: C 45

Z	d_s	d_p	SIMPLEX			DUPLEX			TRIPLEX		
			d_s	D_1	A	d_m	D_2	A	d_m	D_3	A
10	71.54	61.64	42	12	30	42	12	45			
11	77.51	67.61	45	12	30	47	16	50			
12	83.49	73.61	45	12	30	53	16	50	53	20	70
13	89.49	79.59	58	14	35	59	16	50	59	20	70
14	95.50	85.61	60	14	35	65	16	50	65	20	70
15	101.52	91.63	60	14	35	71	16	50	71	20	70
16	107.54	97.65	75	16	35	77	20	50	77	20	70
17	113.56	103.67	75	16	35	83	20	50	83	20	70
18	119.59	109.71	75	16	35	89	20	50	89	20	70
19	125.63	115.75	80	16	35	95	20	50	95	20	70
20	131.67	121.78	80	16	35	100	20	50	100	20	70
21	137.71	127.82	80	16	35	100	20	50	100	20	70
22	143.75	133.86	90	20	40	100	20	50	100	20	70
23	149.79	139.90	90	20	40	110	20	50	110	20	70
24	155.84	145.94	90	20	40	110	20	50	110	20	70
25	161.88	152.00	90	20	40	120	20	50	120	20	70
26	167.93	158.04	90	20	40	120	20	50			
27	173.98	164.09	90	20	40	120	20	50			
28	180.03	170.13	95	20	40	120	20	50			
30	192.14	182.25	95	20	40	120	20	50			

ASA 60

PITCH 3/4" x 1/2"

For chain Acc.to DIN 8188
ISO/R606

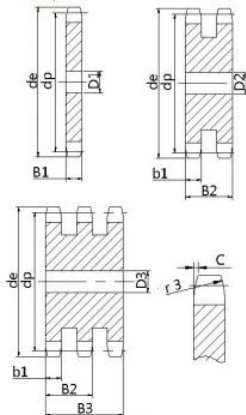


PLATE WHEELS mm

Tooth radius r_3	20
Radius width C	2.4
Tooth width B_1	12.0
Tooth width b_1	11.8
Tooth width B_2	34.6
Tooth width B_3	57.4

CHAIN mm

Pitch	19.05
Internal width	12.7
Roller Φ	11.91

PLATEWHEELS			S	D	T
Z	d_s	d_p	D_1	D_2	D_3
30	192.14	182.25			20
32	204.24	194.35		20	
38	240.58	230.69	20	25	25
40	252.69	242.8	20	25	
45	282.98	273.09	25	25	25
48	301.16	291.27	25		
57	355.7	345.81	25	25	30
76	470.87	460.98	30	30	30
95	586.06	576.17		30	



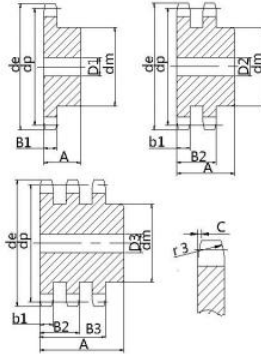
ASA SPROCKETS & PLATE WHEELS

Piñones & discos normas ASA

ASA 80

PITCH 1" x 5/8"

For chain Acc.to DIN 8188
ISO/R606



SPROCKETS mm

Tooth radius r_3	27
Radius width C	3.2
Tooth width B_1	15.0
Tooth width b_1	14.7
Tooth width B_2	44.0
Tooth width B_3	73.3

CHAIN mm

Pitch	25.4
Internal width	15.88
Roller Φ	15.88

Material: C 45

Z	d_1	d_2	SIMPLEX			DUPLEX			TRIPLEX		
			d_m	D_1	A	d_m	D_2	A	d_m	D_3	A
8	79.49	66.37	42	16	35						
9	87.38	74.27	50	16	35						
10	95.32	82.19	55	16	35						
11	103.28	90.14	61	16	40						
12	111.26	98.14	69	16	40	72	20	70	72	25	100
13	119.28	106.12	78	16	40	78	20	70	78	25	100
14	127.27	114.15	84	16	40	86	20	70	86	25	100
15	135.29	122.17	92	16	40	94	20	70	94	25	100
16	143.32	130.20	100	20	45	102	20	70	102	30	100
17	151.35	138.22	100	20	45	110	20	70	110	30	100
18	159.39	146.28	100	20	45	118	20	70	118	30	100
19	167.44	154.33	100	20	45	126	20	70	126	30	100
20	175.49	162.38	100	20	45	130	20	70	130	30	100
21	183.54	170.43	110	20	50	130	25	70			
22	191.60	178.48	110	20	50						
23	199.66	186.53	110	20	50						
24	207.72	194.59	110	20	50						
25	215.78	202.66	110	20	50						
26	223.84	210.72	120	20	50						
27	231.91	218.79	120	20	50						
28	239.98	226.65	120	20	50						
29	248.05	234.92	120	20	50						
30	256.12	243.00	120	20	50						

ASA 80

PITCH 1" x 5/8"

For chain Acc.to DIN 8188
ISO/R606

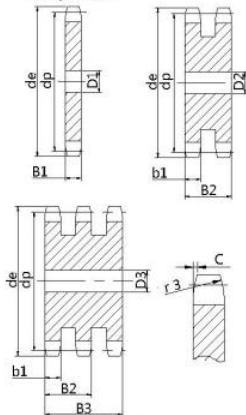


PLATE WHEELS mm

Tooth radius r_3	27
Radius width C	3.2
Tooth width B_1	15.0
Tooth width b_1	14.7
Tooth width B_2	44.0
Tooth width B_3	73.3

CHAIN mm

Pitch	25.4
Internal width	15.88
Roller Φ	15.88

Z	PLATEWHEELS		S	D	T
	d_1	d_2	D_1	D_2	D_3
10	95.32	82.19	15		
11	103.28	90.14	15		
12	111.26	98.14	15		
13	119.26	106.12	15		
14	127.27	114.15	15		
15	135.29	122.17	15		
16	143.32	130.20	19		
17	151.35	138.22	19		
18	159.39	146.28	19		
19	167.44	154.33	19		
20	175.49	162.38	19		
21	183.54	170.43	20		
22	191.60	178.48	20		
23	199.66	186.53	20		
24	207.72	194.59	20		
25	215.78	202.56	20	25	30
26	223.84	210.72	20		
27	231.91	218.79	20		
28	239.98	226.85	20		
30	256.12	243.00	20	25	30
32	272.26	259.13	25		
35	296.48	283.36	25		
38	320.70	307.59	25	25	30
45	377.24	364.12	25	25	30
50	417.64	404.52	25		
57	474.20	461.08	25	25	40
76	627.80	614.64	25	25	40



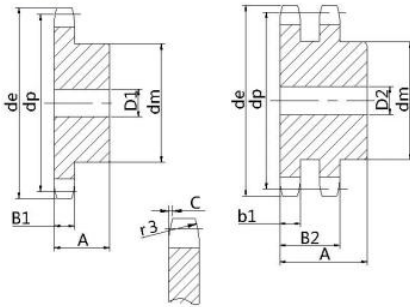
ASA SPROCKETS & PLATE WHEELS

Piñones & discos normas ASA

ASA 100

PITCH 1 1/4" x 3/4"

For chain Acc.to DIN 8188
ISO/R606



SPROCKETS mm

Tooth radius r_3	33.5
Radius width C	4
Tooth width B_1	18.0
Tooth width b_1	17.7
Tooth width B_2	53.5
Tooth width B_3	89.2

CHAIN mm

Pitch	31.75
Internal width	19.05
Roller Φ	19.05

Material: C 45

Z	SPROCKETS		SIMPLEX			DUPLEX		
	d_e	d_p	d_m	D_1	A	d_m	D_2	A
8	98.1	82.96	53	20	40			
9	108.0	92.84	63	20	40			
10	117.9	102.74	70	20	40			
11	127.8	112.68	77	20	45			
12	137.8	122.68	88	20	45	90	20	80
13	147.8	132.65	98	20	45	100	20	80
14	157.8	142.68	108	20	45	110	20	80
15	167.9	152.72	118	20	45	120	20	80
16	177.9	162.75	120	25	50	120	25	80
17	187.9	172.78	120	25	50	120	25	80
18	198.0	182.85	120	25	50			
19	208.1	192.91	120	25	50			
20	218.1	202.98	120	25	50			
21	228.2	213.04	140	25	55			
22	238.3	233.11	140	25	55			
23	248.3	233.17	140	25	55			
24	258.4	243.23	140	25	55			
25	268.5	253.33	140	25	55			

ASA 100

PITCH 1 1/4" x 3/4"

For chain Acc.to DIN 8188
ISO/R606

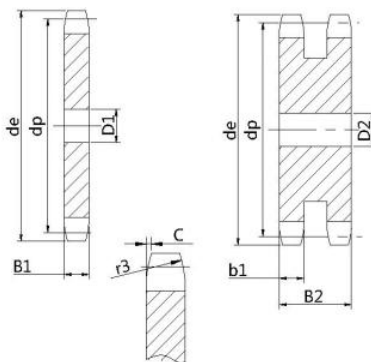


PLATE WHEELS mm

Tooth radius r_3	33.5
Radius width C	4
Tooth width B_1	18.0
Tooth width b_1	17.7
Tooth width B_2	53.5
Tooth width B_3	89.2

CHAIN mm

Pitch	31.75
Internal width	19.05
Roller Φ	19.05

Z	PLATEWHEELS		S	D	T
	d_e	d_p	D_1	D_2	D_1
8	98.1	82.96	16		
9	108.0	92.84	16		
10	117.9	102.74	16		
11	127.8	112.68	16		
12	137.8	122.68	20		
13	147.8	132.65	20		
14	157.8	142.68	20		
15	167.9	152.72	20		
16	177.9	162.75	20		
17	187.9	172.78	20		
18	198.0	182.85	20		
19	208.1	192.91	20		
20	218.1	202.98	20	25	
21	228.2	213.04	25		
22	238.3	233.11	25		
23	248.3	233.17	25		
24	258.4	243.23	25		
25	268.5	253.33	25	25	
26	278.6	263.40	25		
27	288.6	273.40	25		
28	298.7	283.56	25		
29	308.8	293.65	25		
30	318.9	303.75	25	25	
31	329.0	313.85	25		
32	339.1	323.91	25		
33	349.2	334.01	25		
34	359.3	344.10	25		
35	369.4	354.20	25		
36	379.5	364.30	25		
37	389.5	374.39	25		
38	399.6	384.49	25	30	
39	409.7	394.59	25		
40	419.8	404.68	25		
45	470.3	455.17	30	30	
57	591.5	576.36	30	30	



SPROCKET
Piñones

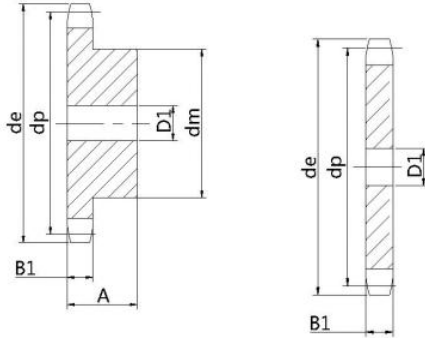
ASA SPROCKETS & PLATEWHEELS

Piñones & discos normas ASA

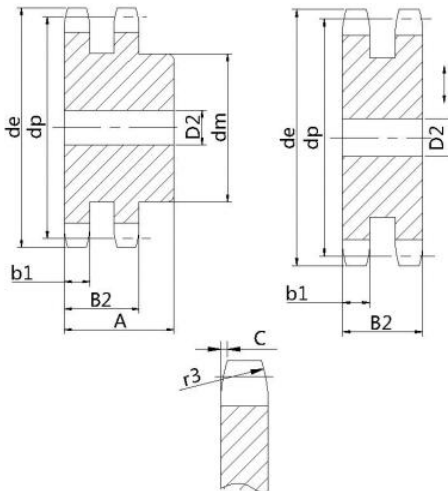
ASA 120

PITCH 1 1/2" x 1"

For chain Acc.to DIN 8188
ISO/R606



SPROCKETS			SIMPLEX		DUPLEX			
Z	d_o	d_p	d_i	D_o	A	d_o	D_o	A
8	119.04	99.55	58	20	45			
9	130.88	111.40	70	20	45			
10	142.77	123.29	80	20	45			
11	154.71	135.21	90	25	50			
12	166.69	147.22	102	25	50	102	25	100
13	178.68	159.18	114	25	50	114	25	100
14	190.70	171.22	128	25	50	128	25	100
15	202.73	183.26	140	25	50	140	25	100



PLATEWHEELS		SIMPLEX		DUPLEX	
Z	d_o	d_p	D_o	D_i	
16	214.77	195.29	25		
17	226.83	207.35	25		25
18	238.89	219.41	25		25
20	263.03	243.55	25		25
22	287.20	267.72	25		
25	323.47	303.99	25		25
30	383.97	364.49	30		30
32	408.19	388.71	30		
38	460.85	461.37	30		30
45	565.67	546.19	30		40
57	711.10	691.62			40

SPROCKETS & PLATE WHEELS mm

Tooth radius r_3	40.5
Radius width C	4.8
Tooth width B_1	24.1
Tooth width b_1	23.6
Tooth width B_2	69.0

CHAIN mm

Pitch	38.1
Internal width	25.4
Roller Φ	22.22

Material: C 45